

460 | AUTOMATED ROTARY BLADE GRINDER

FOLEY
COMPANY

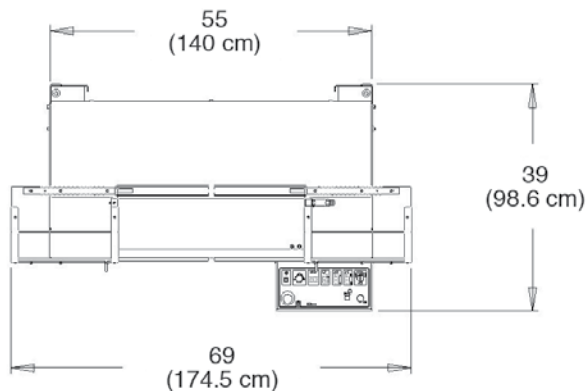


STANDARD FEATURES

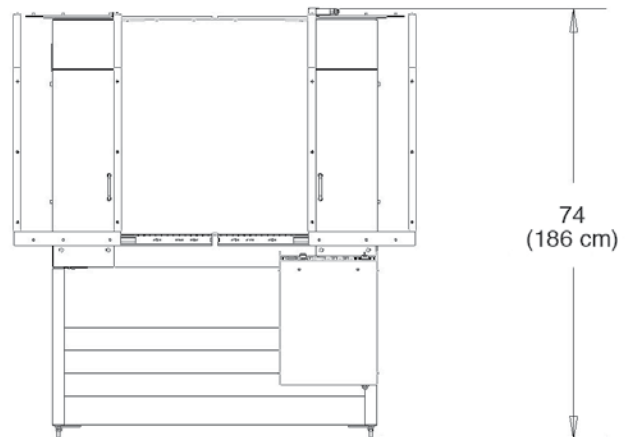
DUAL GRINDING HEADS	✓
PATENT RELIEF AND RELIEF RADIUS SYSTEM	✓
STRUCTURALLY ENGINEERED STEEL FRAME	✓
SAFETY GUARDING STANDARD	✓
AUTOMATIC GRIND CONTROL SYSTEM	✓
MAXIMUM ROTARY BLADE LENGTH	34" (86 CM)

► DIMENSIONS:

TOP VIEW



FRONT VIEW



MADE IN THE USA

©2020 FOLEY COMPANY. ALL RIGHTS RESERVED. PN3730165 - LU01072020

FOLEYCO.COM | 800.225.9810

PURSUE PERFECT

460 | AUTOMATED ROTARY BLADE GRINDER

FOLEY
COMPANY

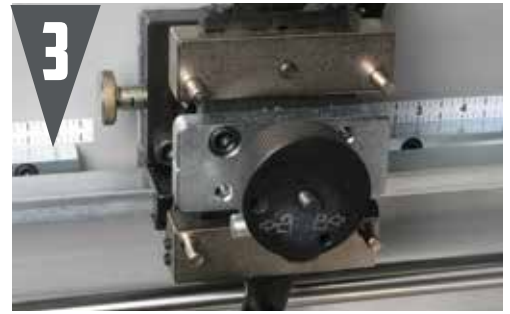
BLADE BALANCING SYSTEM



HEIGHT ADJUSTMENT & ANGLE ADJUSTMENT



CENTER HOLE - QUICK CONNECT CONE



DUAL GRINDING HEAD



TRAVEL LIMIT PROXIMITY SWITCH



BLEND RADIUS RELIEF SLIDE BAR



**REDUCE YOUR LABOR & EFFORT,
AND GET THE BEST GRIND POSSIBLE**

Distributed by:

 **CENTAUR**
ASIA PACIFIC

Hong Kong | Singapore | Malaysia | Australia

Email: info@centaur-asiapacific.com

Website: www.centaur-asiapacific.com

SAFETY ENCLOSURE GUARD SYSTEM

SLIDING DOORS AND AN ENCLOSED CABINET DESIGN MINIMIZES THE WORKSHOP GRINDING DUST AND SMALL PARTICLES THAT ARE DISPERSED IN THE AIR DURING THE GRINDING PROCESS.

